

ESCom Phrase Catalogue: building for the future

5th Meeting of the Exchange Network on Exposure Scenarios (ENES5)
Brussels, 21- 22 November 2013

Dook Noij (Dow)

(on behalf of the ESCom Project Organization)



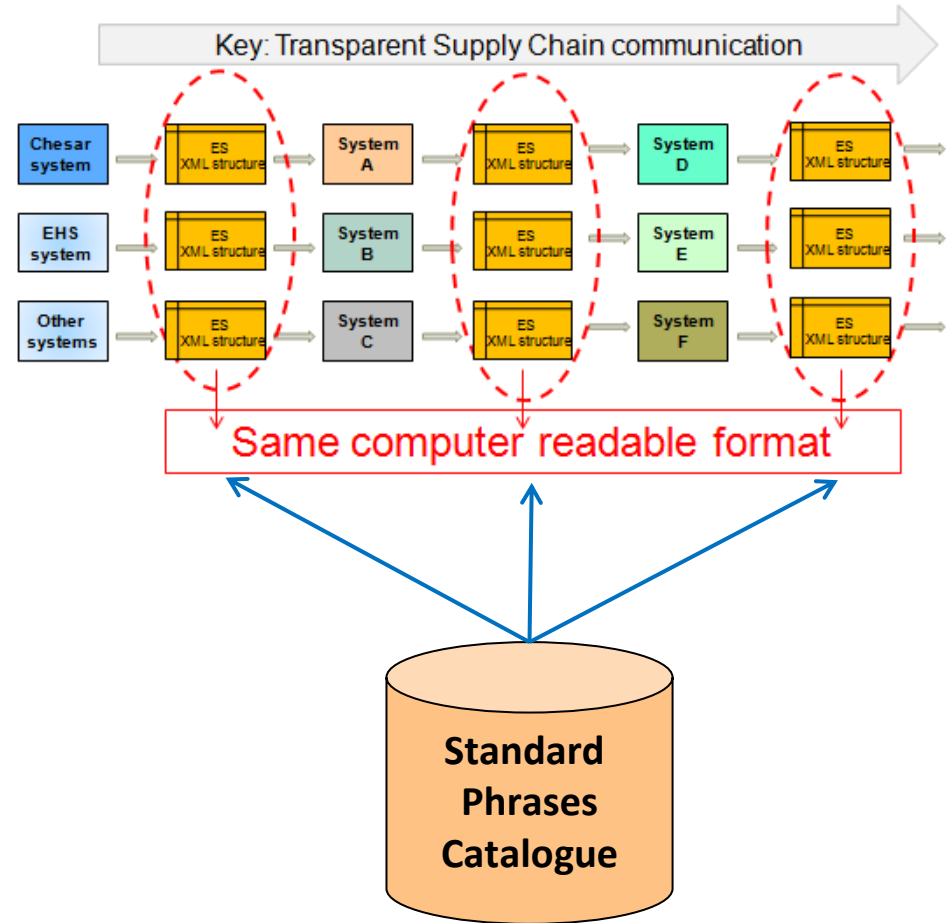
What is the ESCom Package?

ESCom XML standard:

- An IT communication standard to harmonize ES data exchange between computer systems in the supply chain
- Developed by IT providers in consultation with industry

ESCom Phrase Catalogue:

- A catalogue with standard phrases for ESs for communication
- Developed by industry sectors, associations and companies



What was shared at ENES4?

Securing the ESCom Package for the future:

- New ESCom Standard Project initiated (timeline: 2013 – 2015); split between Phrase Catalogue activities and XML Standard development
- Evaluation at the end of 2015, with the intent to continue the ESCom activities

Chemical Industry => Phrase Catalogue:

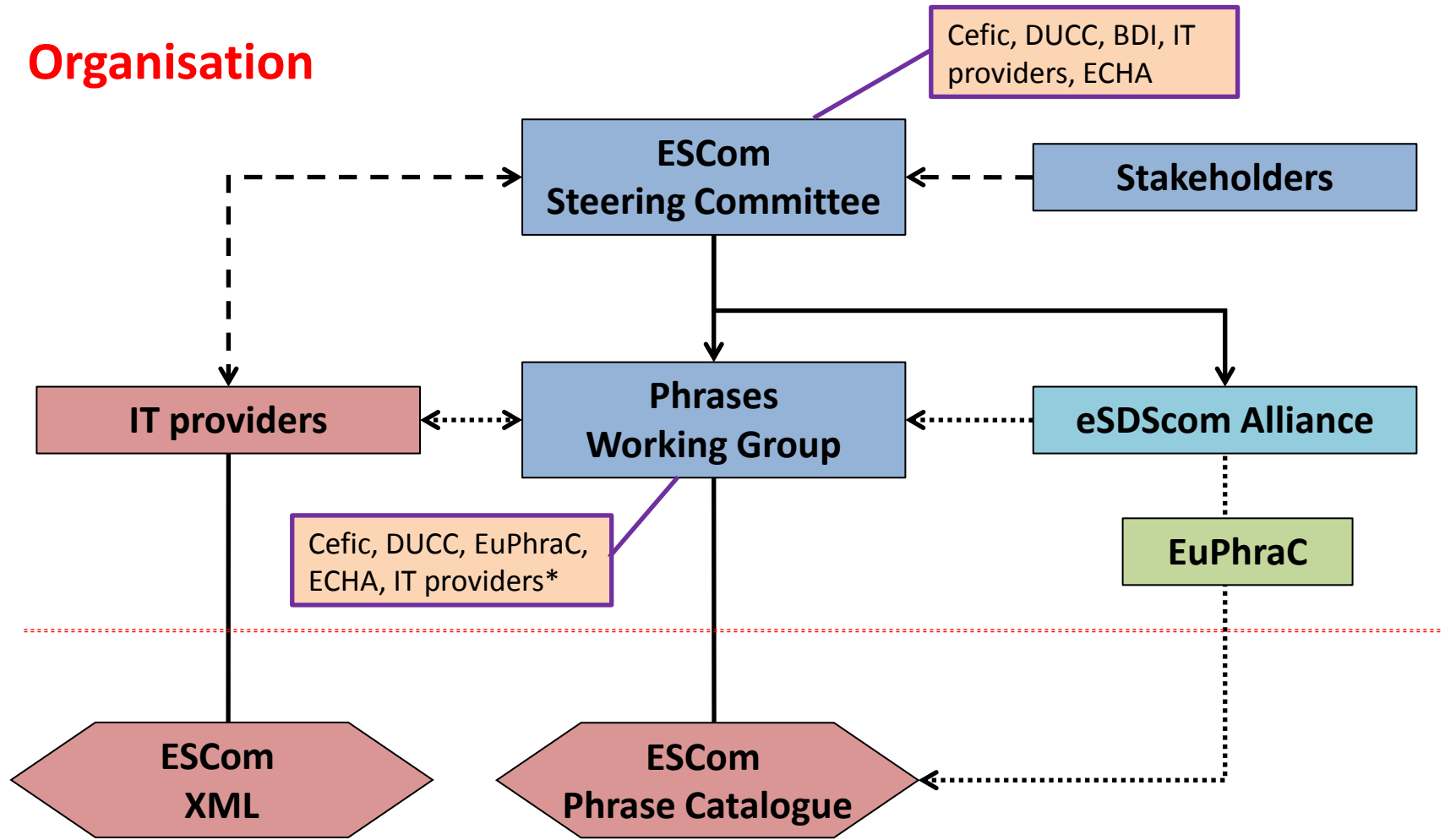
- Memorandum of Understanding (MoU) between industry parties (and open for IT parties) as a minimum until end 2015:
 - To continue the development and maintenance of the ESCom Phrase library
 - To align with IT providers regarding the further development of the ESCom XML

IT providers => XML Standard

- ES Collaboration Working Agreement between IT providers (arranges further development of ESCom XML, including IP rights and licensing of IP rights to industry)
- License Agreement for industry organisations to enable publication/use of ESCom XML by industry (as Annexes to the Working Agreement)

ESCom Standard – Project: where are we now?

Organisation



ESCom Standard

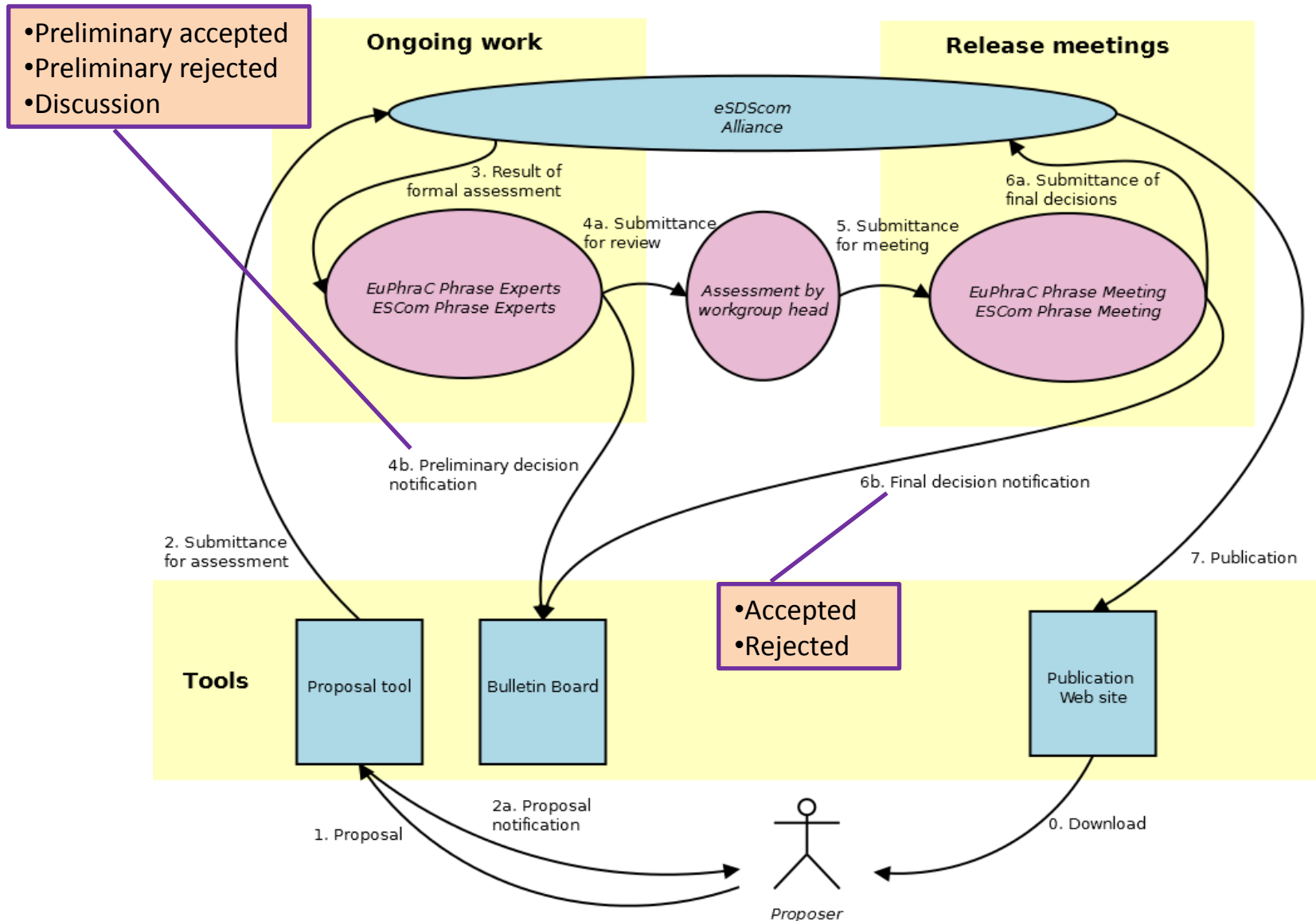
* observer role

Maintaining the Phrase Catalogue

Alignment with the EuPhraC Working Group (European Phrase Catalogue)

- Joint Phrase Guidance developed
- Joint workflow for processing phrase proposals developed; key elements:
 - Formal assessment check (compliance with Phrase Guidance)
 - Phrase proposal review: application of ‘4-eye’ principle (to enhance quality and consistency)
- Utilize the same system/database for phrase management (EuPhraC)
- Administrative support by the same contractor (eSDSCOM Alliance)
- Synchronized releases of new Phrase Catalogue versions (spring/autumn)

Workflow



Phrase proposal submission

New phrase proposals: GOTO <http://draft.euphrac.eu>

German English Imprint

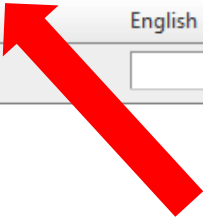
EuPhraC version 1.3 06.09.2013

- <02.03.02.00.96009.> Contributing Scenarios
- <02.03.02.00.96010.> Control of environmental exposure
- <02.03.02.00.96011.> Other operational conditions of use affecting environmental exposure
- <02.03.02.00.96012.> Technical onsite conditions and measures to reduce or limit discharge
- <02.03.02.00.96013.> Conditions and measures related to external treatment of waste
- <02.03.02.00.96014.> Other environmental control measures additional to above
- <02.03.02.00.477001.> Exposed skin surface assumed
- <02.03.02.00.605000.> Percentage of risk driving substance contained in product:
- <02.03.02.00.607000.> Receiving surface water flow (m3/day):
- <02.03.02.00.630000.> Limit release rate to air to (kg/day):
- <02.03.02.00.636000.> Limit release rate to waste water to (kg/day):
- <02.03.02.00.642000.> Limit release rate to soil to (kg/day):
- <02.03.02.00.650000.> Assumed on-site sewage treatment plant flow (m3/d):
- <02.03.02.00.670000.> Msperc/Msite (kg/day):
- <02.03.02.00.672000.> Required Removal Efficiency (wastewater):
- <02.03.02.00.672001.> Removal Efficiency Fraction (onsite):
- <02.03.02.00.672002.> Removal Efficiency Fraction (offsite; STP):
- <02.03.02.00.672003.> Removal Efficiency (total):

+ Send new phrase proposal + Send phrase change proposal + Send

Code English

No records to display.



Phrase proposal discussion

Discussion of phrase proposals: GOTO <http://euphrac.qualisys.eu>

EuPhraC Proposals and Discussions

disputes new and old phrases, open to everybody

[Board index](#) < [EuPhraC Phrase Discussions](#) < [Exposure Scenario phrases](#)

[New Request] Maximum daily local emission to waste water

POSTREPLY ↩

Search





Technical protective measures: Procedural and/or control technologies are used to minimise emissions and the resulting exposure during cleaning and maintenance procedures. Local exhaust ventilation is used for sampling and (dis)charging operations. → PROC8b

For processes where the opportunity for exposure arises, the use of gloves is stipulated. Suitable materials for safety gloves; EN 374-3: Laminate glove - PE/EVOH/PE; breakthrough time >=480 min. Recommendation: contaminated gloves should be disposed of. Wear eye/face protection. → PROC8b, PROC10

Thank you for your attention!!